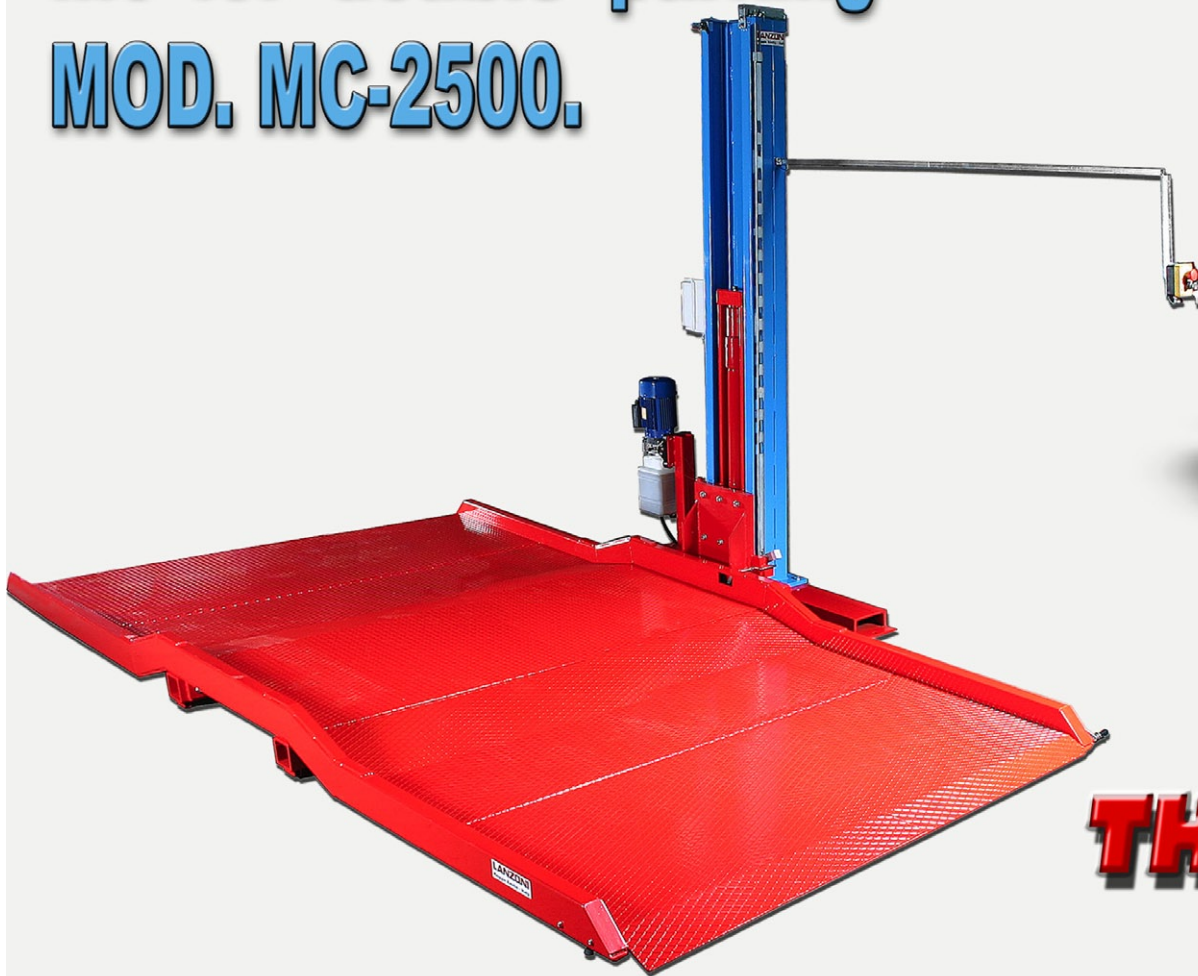




LANZONI®

LANZONI & C. S.n.c. - Via C. Pervilli, 12/D - Zona Industriale Mancasale - 42100 Reggio Emilia - Italia
Tel. ++39 522 518700 - Fax ++39 522 518747 - <http://www.lanzoni.com> - e-mail: info@lanzoni.com

Electro-hydraulic single-post lift for double parking MOD. MC-2500.



THE DOUBLE IN THE SAME SPACE!!!

The **LANZONI MOD. MC-2500** electro-hydraulic single-post car lifter is designed to double the available parking space into public and private garages or outdoors. This is possible by positioning the first car on the lifting platform which will later be lifted off to the desired height, in such a way it is possible to place a second car under the lifted platform. The **LANZONI MOD. MC-2500** electro-hydraulic single-post car lifter can be installed by positioning the post on both sides of the garage wall or parking place, allowing the driver's side to be completely free and the user to get in and out from the car with the greatest of ease.

CONSTRUCTION FEATURES

Pressed sheet steel frame, duly sized. The lifting and lowering of the platform is controlled by a telescopic cylinder. The weight is entirely supported by the telescopic cylinder without using chains or ropes. The telescopic cylinder is controlled by an hydraulic power pack. Distributor and maximum pressure valve are incorporated in the unit. Pump and cylinder are made of selected materials and the manufacturing procedures guarantee the most outstanding features of efficiency, precision and reliability.

SAFETY FEATURES

- Mechanical safety device against the accidental lowering of the platform
- Stopping device on platform
- Overload safety valve
- Lowering speed control valve
- Safety valve against the breaking of the hydraulic circuit
- Man present controls
- Removable control key
- Mechanical stop

ACCESSORIES ON REQUEST

- Manual pump - displacement 2 cm³/pumping
- Photosensor - it prevents the platform lowering when a car is parked underneath.

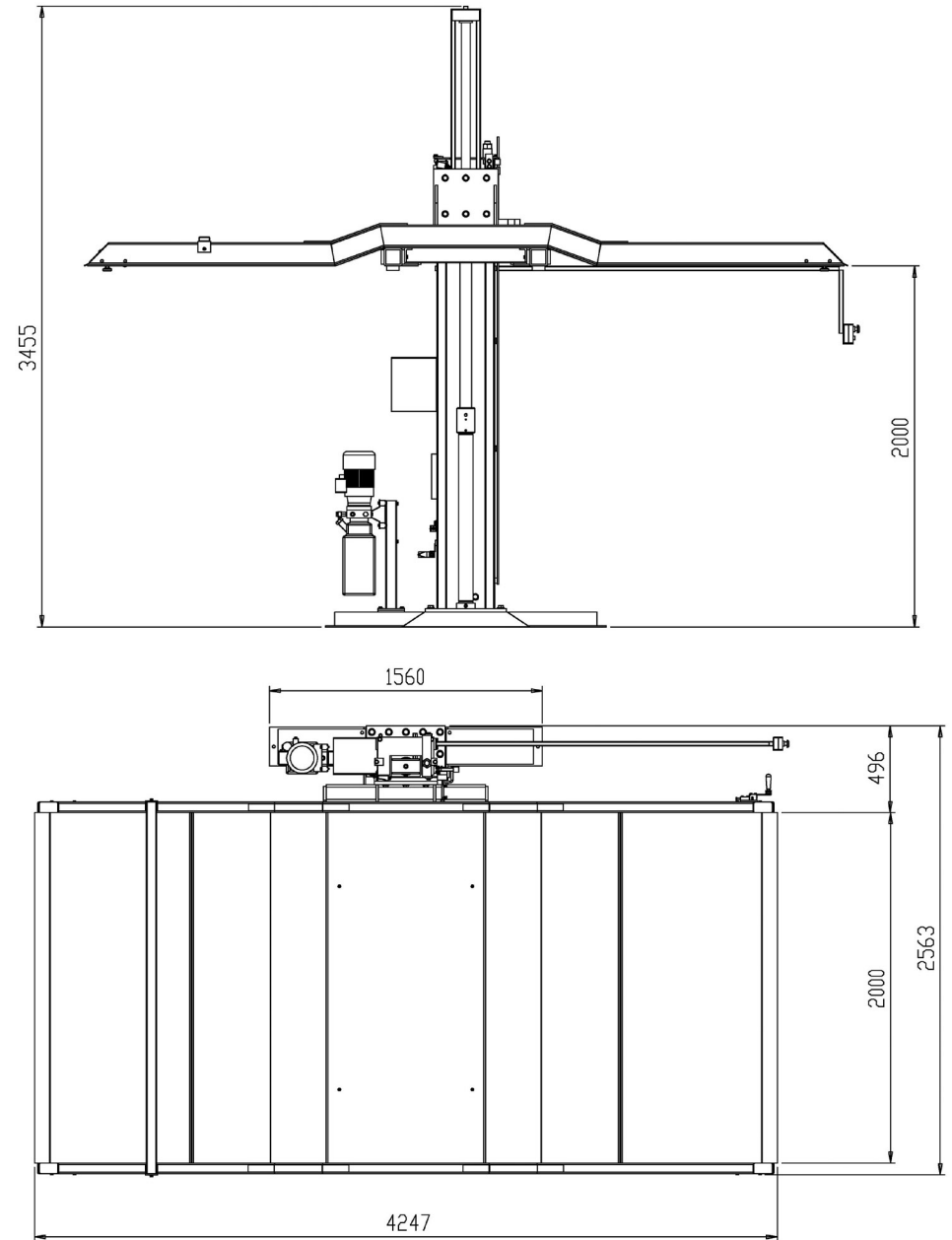
GENERAL CHARACTERISTICS

Capacity
 Maximum height from the floor
 Lifting time (to maximum height)
 Lowering time (from maximum height)
 Single-phase motor
 Maximum operating pressure
 Controls voltage
 Net weight

MOD. MC-2500

2500 kg
 2000 mm
 60 sec
 45 sec
 220V 50HZ 1,5KW
 180 BAR
 24 V
 1420 kg

DIMENSIONS MOD. MC-2500



LANZONI

LANZONI & C. S.n.c. - Via C. Pervilli, 12/D - Zona Industriale Mancasale
 42100 Reggio Emilia - Italia - Tel. ++39 522 518700 - Fax ++39 522 518747
<http://www.lanzoni.com> - e-mail: info@lanzoni.com